

## Premium Portable Generators

**GP 2500A      GP 2600**  
**GP 3800A      GP 4000**  
**GP/S 5600A    GP/S 6600A**

# GP

### Rugged and powerful generators for the most demanding jobsites

»» Designed for construction rental and other demanding applications, these high performance, portable generators deliver unmatched tool starting and voltage regulation in a rugged, compact package. Built the Wacker Neuson way, with heavy-duty frames and premium components to provide long, trouble-free operation even in abusive environments. Ideal for powering high starting amperage tools such as compressors, grinders, fusion welders, as well as all of your Wacker Neuson electric-powered tools. ««



#### ADDITIONAL ADVANTAGES:

- **Best in class tool starting and voltage regulation** due to unique step-start generator technology with AVR (automatic voltage regulation) and separate excitation winding.
- **Central GFCI** (neutral bonded to ground) sensor system eliminates common GFI outlet failures while offering personal protection on all receptacles including 240 Volt.\* Meets the latest NEC and OSHA jobsite standards.
- **Full wrap-around frame** with dual cross-member support, high impact polyethylene fuel tank and heavy duty shock-mounting combine to provide outstanding impact protection.
- **A super quiet muffler** allows for versatile operation.
- **Unique auto-idle control with time delay** system automatically reduces the engine to a low speed reducing fuel consumption, noise and wear.\*
- **The folding central lifting eye and integrated wheel kit** make these compact generators easy to transport and store.\*
- **Available with the high performance WN OHC engine** (on GP2600 and GP4000) or Honda OHV engine, both feature low oil shutdown.
- **Fully compliant** with the latest EPA evaporative emissions regulations.

\*On GP 3800A models and larger.



# WACKER NEUSON

| Technical Data                  |   | GP 2500A*       | GP 2600*       | GP 3800A      | GP 4000       | GP 5600A/<br>GP 5600A<br>with wheel kit/<br>GPS 5600A | GP 6600A/<br>GP 6600A<br>with wheel kit/<br>GPS 6600A |
|---------------------------------|---|-----------------|----------------|---------------|---------------|---|---|
| Length x width x height         | in  | 22.2 x17.1x17.5 | 24.2x17x21.5   | 27x21x21.2    | 27x21x21.2    | 27x21x21.2<br>39.5x27x26.7<br>34.3x21x21.2            | 27x21x21.2<br>39.5x27x26.7<br>34.3x21x21.2            |
|                                 | (mm)  | (565x435x445)   | (615x435x545)  | (685x530x540) | (685x530x535) | (685x530x540)<br>(1005x685x680)<br>(870x530x540)      | (685x530x540)<br>(1005x685x680)<br>(870x530x540)      |
| Dry weight                      | lb (kg)   | 98 (44.5)       | 105 (47.7)     | 168 (76)      | 152 (68.9)    | 194 (88)<br>216 (98)<br>201 (91)                      | 198 (90)<br>220 (98)<br>206.5 (94)                    |
| Shipping size (l x w x h)       | in  | 23.2x17.6x19.5  | 25.2x17.7x23.5 | 28x21.5x23.2  | 28x21.5x23.2  | 28x21.5x23.2<br>28x27x23.2<br>28x27x23.2              | 28x21.5x23.2<br>28x27x23.2<br>28x27x23.2              |
|                                 | (mm)  | (590x450x495)   | (640x450x595)  | (710x545x590) | (710x545x590) | (710x545x590)<br>(710x685x590)<br>(710x685x590)       | (710x545x590)<br>(710x685x590)<br>(710x685x590)       |
| Shipping weight                 | lb (kg)   | 103 (46.7)      | 111 (50.4)     | 173 (78.5)    | 157 (71.2)    | 191 (87)<br>213 (97)<br>206 (93)                      | 197 (89)<br>218 (99)<br>212 (96)                      |
| Maximum output                  | W   | 2500            | 2600           | 3800          | 4000          | 5600  | 6600  |
| Continuous output               | W   | 2250            | 2250           | 3400          | 3600          | 5000  | 6000  |
| Continuous AC amps (120/240V)   | A   | 18.8            | 18.8           | 28.3/14.2     | 30/15         | 41.7/20.8   | 50/25   |
| AC circuit breaker amps         | A   | 20              | 20             | 16            | 17            | 23  | 27  |
| Frequency                       | Hz  | 60              | 60             | 60            | 60            | 60  | 60  |
| Phase                           | Ø   | 1               | 1              | 1             | 1             | 1   | 1   |
| Power factor                    | Pf  | 1               | 1              | 1             | 1             | 1   | 1   |
| Engine type                     | air-cooled, 4-cycle, single cylinder, gasoline engine |                 |                |               |               |   |   |
| Starting system                 |   | Honda           | Wacker Neuson  | Honda         | Wacker Neuson | Honda   | Honda   |
|                                 |   | recoil          | recoil         | recoil        | recoil        | recoil<br>recoil<br>12V electric                      | recoil<br>recoil<br>12V electric                      |
| Displacement                    | in <sup>3</sup> (cm <sup>3</sup> )                    | 10 (163)        | 10.3 (169)     | 16.5 (270)    | 16.2 (265)    | 23.7 (389)  | 23.7 (389)  |
| Operating speed                 | rpm   | 3600            | 3600           | 3600          | 3600          | 3600  | 3600  |
| Automatic idle speed            | rpm   | N/A             | N/A            | 1400          | 1400          | 1400  | 1400  |
| Max. rated power at rated speed | hp (kW)   | 4.8 (3.6)       | 5.7 (4.2)      | 7.9 (5.9)     | 9.0 (6.6)     | 10.7 (8.0)  | 11.7 (8.7)  |
|                                 | rpm   | 3600            | 4000           | 3600          | 4000          | 3600  | 3600  |
| Power rating specification      |   | SAE J1349       | SAE J1349      | SAE J1349     | SAE J1349     | SAE J1349   | SAE J1349   |
| Fuel tank capacity              | gal (l)   | 3 (12)          | 4 (15)         | 4.94 (18.7)   | 4.94 (18.7)   | 4.94 (18.7)   | 4.99 (18.7)   |
| Running time/full load          | hrs   | 6.6             | 10.2           | 7.8           | 7.8           | 6   | 5   |
| AC outlet receptacles           |   |                 |                |               |               |   |   |
| 125V, 20A Duplex GFCI           | qty   | 2               | 2              | 2             | 2             | 2   | 2   |
| 125V, 30A Twist-Lock            |   |                 |                | 1             | 1             | 1   | 1   |
| 125/250V, 20A Twist-Lock        |   |                 |                | 1             | 1             |   |   |
| 125/250V, 30A Twist-Lock        |   |                 |                |               |               | 1   | 1   |

### Standard Package

#### Portable Generators

GP 2500A GP 5600A with wheel kit  
 GP 2600 GPS 5600A  
 GP 3800A GP 6600A  
 GP 4000 GP 6600A with wheel kit  
 GPS 6600A

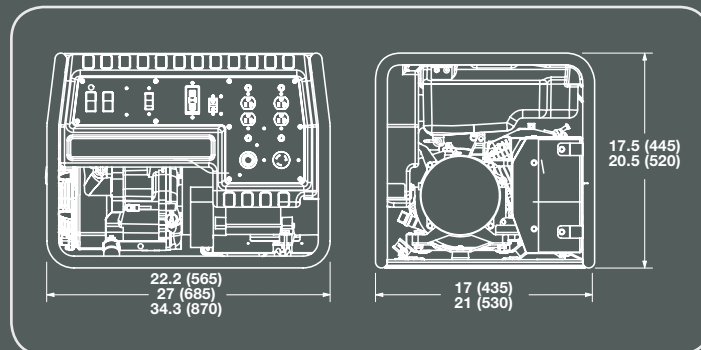
include operator's manual and parts book. Some standard packages include wheel kit.

Battery sold separately.

### Model Guide

G = Air-cooled portable generator  
 P = Premium, S = Electric start  
 2500-6600 = Maximum output in Watts, A = Honda engine  
 Standard models feature Wacker Neuson engines.

Please refer to our Price List and Ordering Guide for complete accessory information.



Specifications may change due to continuous product development. Users are advised to consult Wacker Neuson's Operator's Manual and website for specific information regarding the engine power rating. Actual power output may vary due to conditions of specific use.

